

Flameproof Intrinsically Safe Buzzer with FLP Flasher



	SALIENT FEATURES
Supply voltage option	230 VAC / 110VAC / 24VDC (select any one)
Current	70 mA max @ 24VDC & 50 mA max @ 230VAC
Sound Output	High frequency beeping, 95 dB
Frequency	60 Flashes per minute
Optional Features	Built in sound accept circuitry
Enclosure	LM 6, Aluminum
Coating	Powder coated
Dimension	As per drawing
Applications	Hazardous area
Gas group	IIA, IIB & IIC, Zone 1 & Zone 2
Weight	6 Kg Max
Terminals	Up to 2.5 Sqmm
Cable Entry options	M20 OR 3/4" NPT OR 1/2" NPT (select any one)
Mounting	Wall mounting / slab mounting type
Flasher	LED

Flameproof Instrumentation

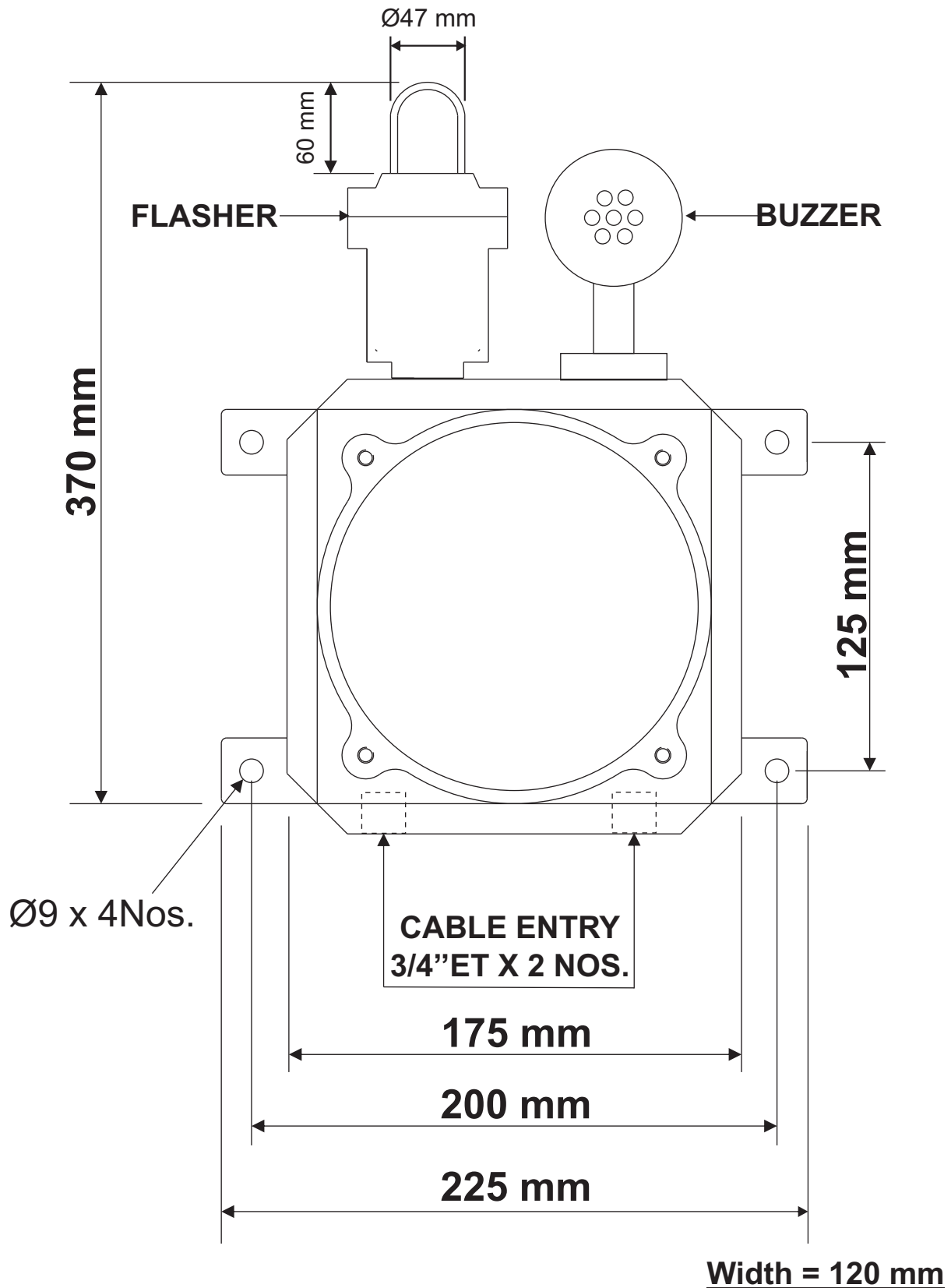
Plot. No. E/14, Addl. MIDC, Anand Nagar, Ambarnath (E), Dist. Thane, Maharashtra, India — 421 506.,

sales@flameproof.co.in

9321160178

www.flameproof.co.in

Dimensional Details



Flameproof Instrumentation

Made in



Flameproof Instrumentation

Plot. No. E/14, Addl. MIDC, Anand Nagar, Ambarnath (E), Dist. Thane, Maharashtra, India — 421 506.,

sales@flameproof.co.in

9321160178



www.flameproof.co.in