

Flameproof LED Hand Lamp



	SALIENT FEATURES
Aux. Supply	230 VAC / 24VAC
Power Consumption	17 watt @ 24 VAC or 17 watt @ 230 VAC
Light	High bright LED
Light colour	Cool white or warm white
CRI	83.5
THD	Less than 25%
Power factor	0.97 & above
Viewing angle	120°
Variation of input	200 to 264 VAC
Operating Temp.	50°C
Humidity	90% at 40°C
Enclosure	LM 6, Aluminum
Lumen	1479
Coating	Powder coated
Dimension	As per drawing
Application area	Hazardous
Gas group	IIA & IIB & Zone 1 & Zone 2
Weight	2.5 Kg Max
Terminals	Suitable for 4 sq.mm wire
Cable Entry	Maximum 2 No.
Mounting	Wall mounting / slab mounting type

Flameproof Instrumentation

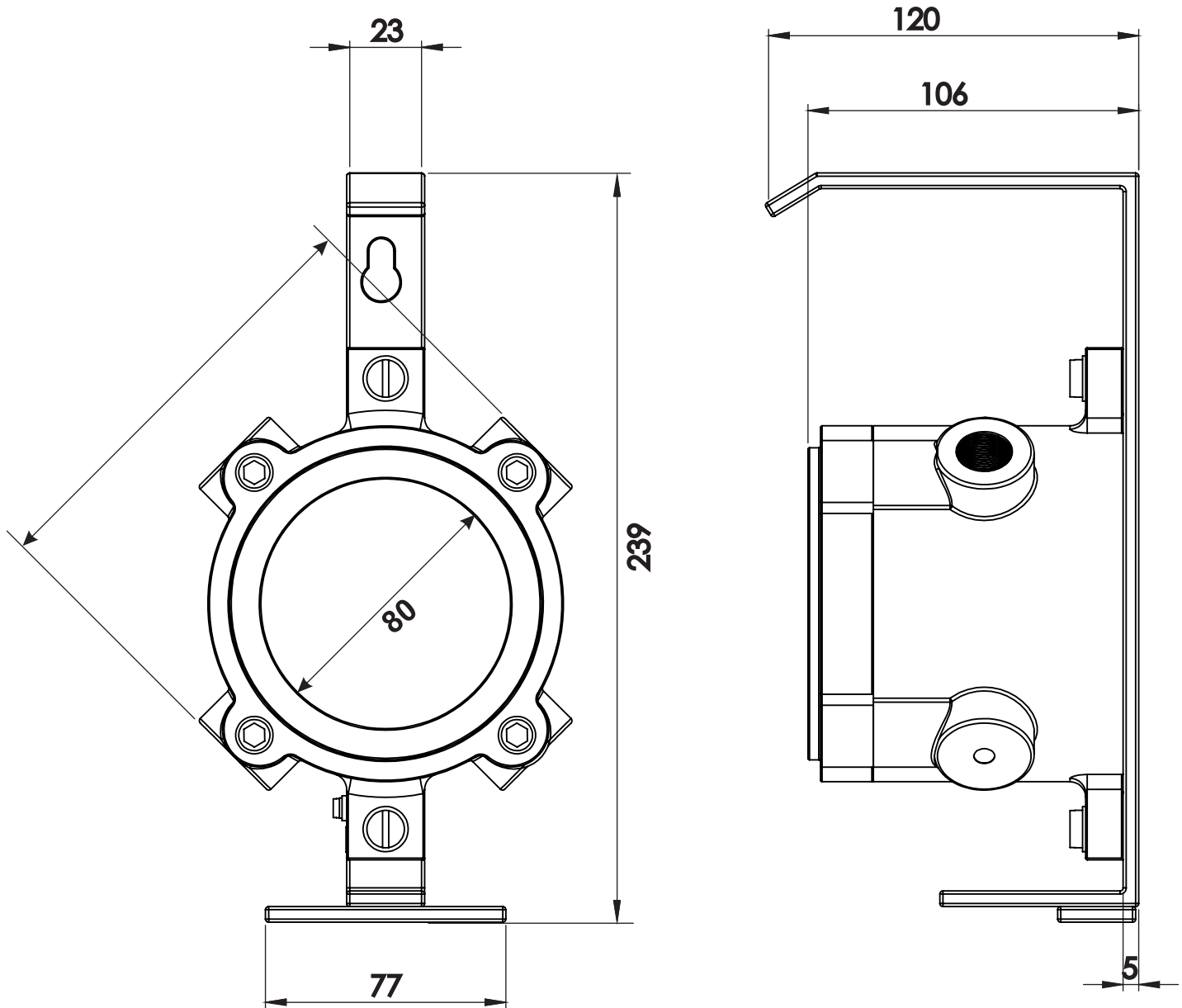
Plot. No. E/14, Addl. MIDC, Anand Nagar, Ambarnath (E), Dist. Thane, Maharashtra, India — 421 506.,

sales@flameproof.co.in

9321160178

www.flameproof.co.in

Dimensional Details



Flameproof Instrumentation

Made in



Flameproof Instrumentation

Plot. No. E/14, Addl. MIDC, Anand Nagar, Ambarnath (E), Dist. Thane, Maharashtra, India — 421 506.,

sales@flameproof.co.in

9321160178

www.flameproof.co.in