

# Flameproof LED Flasher



	SALIENT FEATURES
Aux. Supply options	230 VAC or 110VAC or 24VDC (select any one)
Current Consumption	25 mA max for 24VDC & 25 mA max for 230VAC / 110VAC
Operating Temp.	Up to 55°C
Humidity	90% at 40°C
Enclosure	LM 6, Aluminum
Coating	Powder coated
Dimension	As per drawing
Applications	Hazardous area
Gas group	IIA, IIB & IIC, Zone 1 & Zone 2
Weight	6 Kg Max
Terminals	Up to 2.5 Sqmm
Cable Entry options	M20 OR 3/4" NPT OR 1/2" NPT (select any one)
Mounting	Wall mounting / slab mounting type
Flasher	LED
Frequency	60 Flashes per minute
Hardware	SS
Flasher colour	Red, Green, Amber, Blue or White

## Flameproof Instrumentation

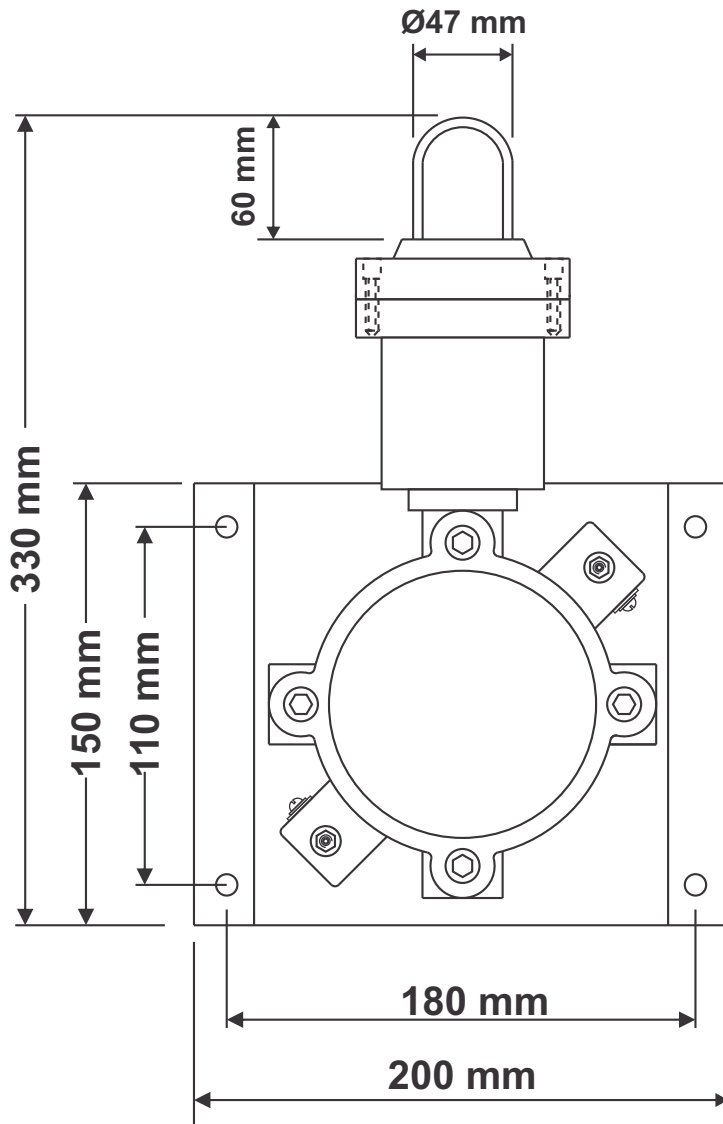
Plot. No. E/14, Addl. MIDC, Anand Nagar, Ambarnath (E), Dist. Thane, Maharashtra, India — 421 506.,

sales@flameproof.co.in

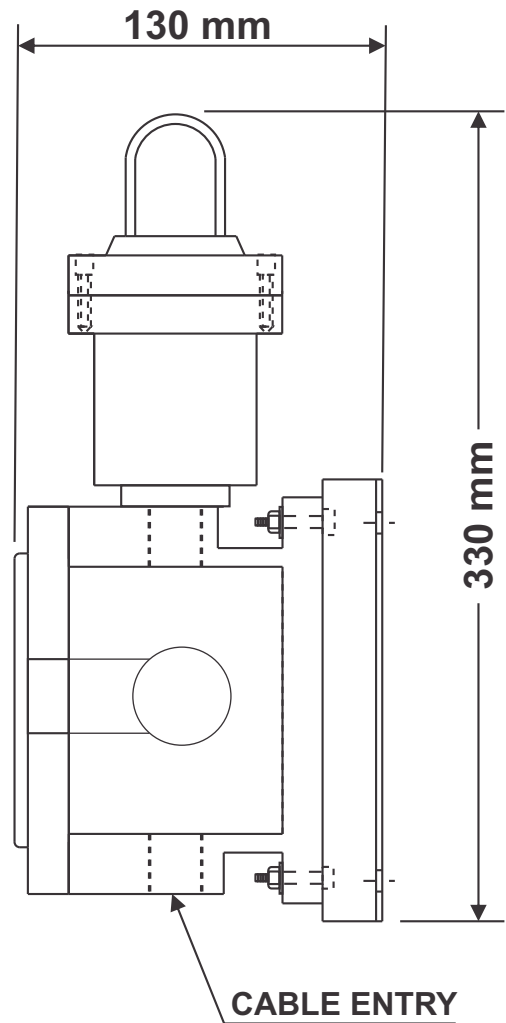
9321160178

www.flameproof.co.in

# Dimensional Details



**FRONT VIEW**



**SIDE VIEW**



Flameproof Instrumentation

Made in



Flameproof Instrumentation

Plot. No. E/14, Addl. MIDC, Anand Nagar, Ambarnath (E), Dist. Thane, Maharashtra, India — 421 506.,

sales@flameproof.co.in

9321160178



www.flameproof.co.in