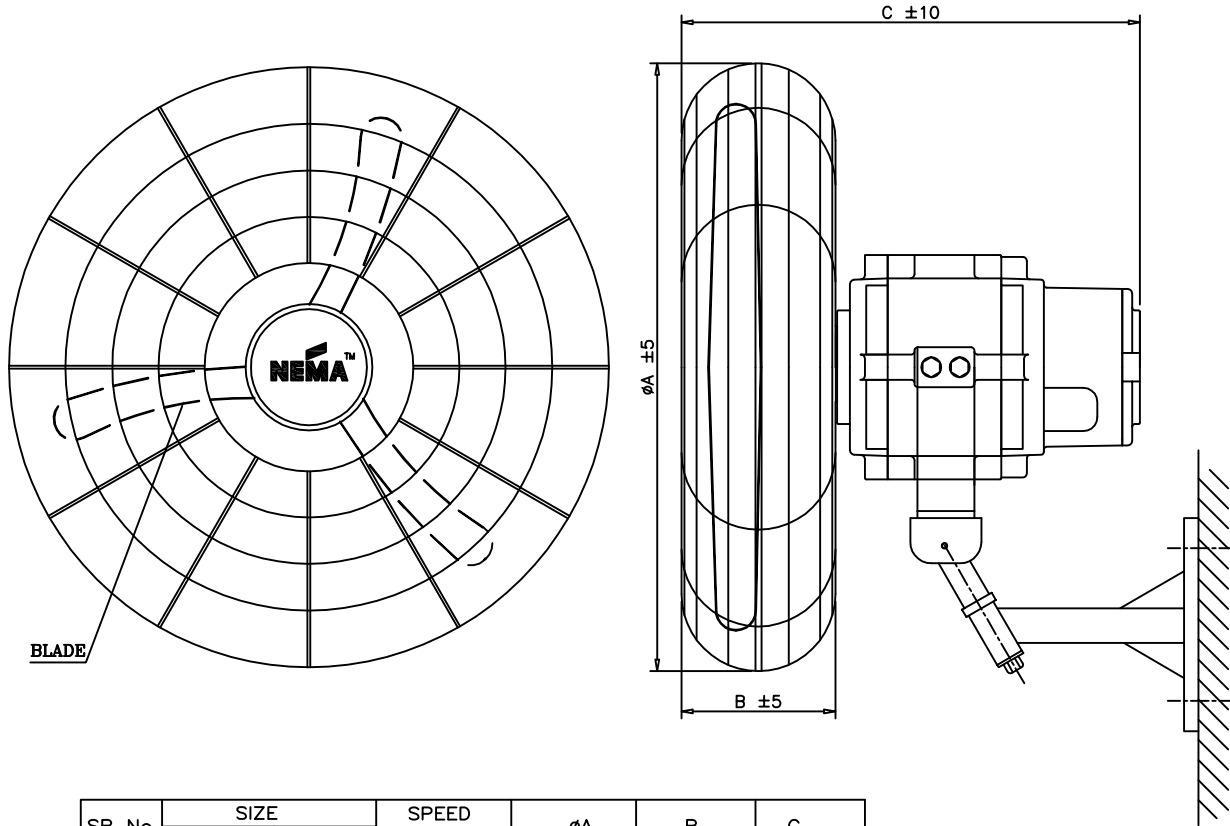


THE IDEAS SHOWN IN THIS DRAWING IS THE EXCLUSIVE PROPERTY OF NEMA SWITCH GEARS & CAN NOT BE REPRODUCED OR DISCLOSED WITHOUT PRIOR PERMISSION

SM



SR No.	SIZE		SPEED R.P.M.	φA	B	C
	INCHES	MM				
01	12	305	1450	515	165	430
02	16	380	1450	515	165	430
03	18	457	1450	515	165	430
04	24	610	900	670	180	425
05	30	762	900	830	180	425

TYPE NO. : NF 42000
 CERT No.: ERTL (E) /TEST/N139/0085/11-07
 BIS CERT No. : CM/L-7892304
 CCE NO. : P244814/9

TECHNICAL DATA

ENCLOSURE :
 Ex d IIA IIB, AS PER IS:2148-2004/IEC60079-1(2001)
 & IS:13346-2004/IEC 60079-0(2000)

DEGREE OF PROTECTION :
 IP-65 AS PER IS:12063-1987/IEC 60529-1989

AREA CLASSIFICATION :
 Div/Zone 1 & 2, GAS GROUPS IIA IIB

MATERIAL OF CONSTRUCTION :
 CAST IRON

RATING & TEMPERATURE CLASSIFICATION :
 1/3 PHASE, 50 Hz. 1450/950 RPM T6

GASKET :
 NEOPRENE

HARDWARE :
 STAINLESS STEEL

FINISH :
 LIGHT GREY EPOXY SHADE 631 AS PER IS:5.

EARTHING :
 1 No. INSIDE & 2 Nos. OUTSIDE

CABLE ENTRY :
 3/4" ET x 1 No.

0	01.03.08	JKP	BKC	BKC	NA.
REV.	DATE	DRN BY	CHKD BY	APPRD BY	NATURE OF CHANGE
			NEMA SWITCH GEAR		
CLIENT :			P.O No. :		
CONSULTANT :			ITEM No.		QTY : 1 Nos.
TITLE : FLP/WP FAN			DRG. No. Sheet 1 of 1		SCALE
			D2 / NF002 / 07		N.T.S.