

Flameproof Hooter with Jumbo Flasher (110 dB)



	SALIENT FEATURES
Aux. Supply	230 VAC OR 110VAC OR 24VDC
Power Consumption	600mA @ 24 VDC & 120mA @ 230 VAC
Audio Range	110 dB
Operating Temp.	Up to 55°C
Flasher	LED (Strobe Effect)
Enclosure	LM6, Aluminum
Weather Protection	IP 65
Coating	Powder coated
Dimension	As per drawing
Applications	Hazardous area
Gas group	IIA, IIB & IIC, Zone 1 & Zone 2
Weight	15 Kg
Terminals	Up to 2.5 Sqmm
Cable Entry	Max 3 Nos., Size : M20 OR 3/4" NPT OR 1/2" NPT
Mounting	Wall mounting / slab mounting type

Flameproof Instrumentation

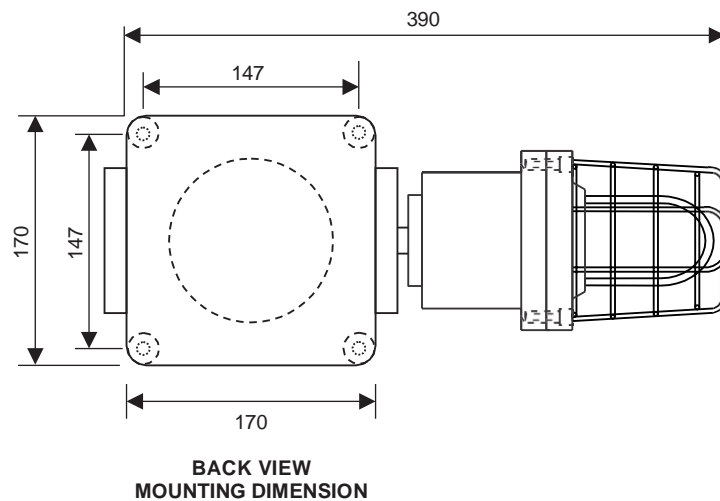
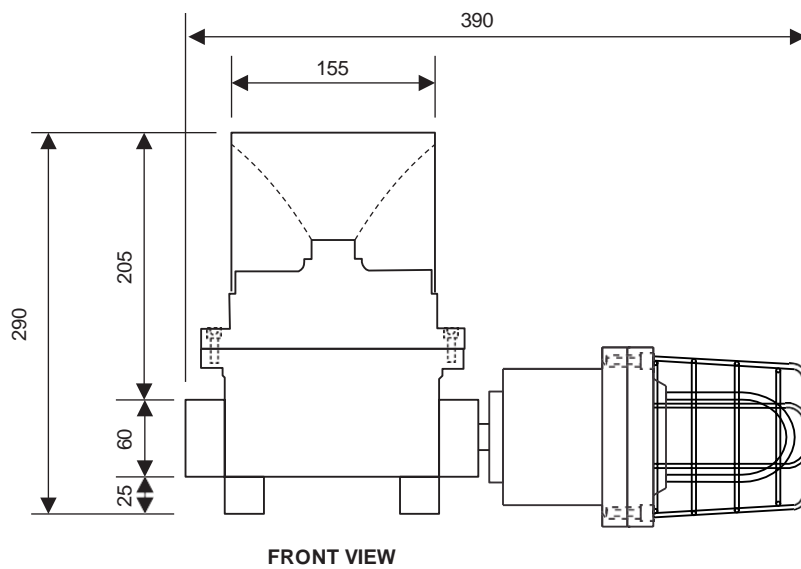
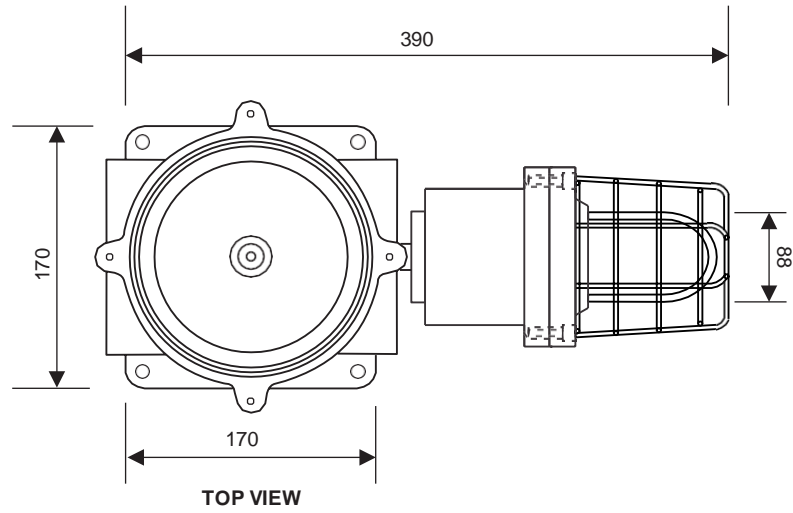
Plot. No. E/14, Addl. MIDC, Anand Nagar, Ambernath (E), Dist. Thane, Maharashtra, India — 421 506.,

✉ sales@flameproof.co.in

☎ 9321160178

🌐 www.flameproof.co.in

Dimensional Details



Flameproof Instrumentation

Made in



Flameproof Instrumentation

Plot. No. E/14, Addl. MIDC, Anand Nagar, Ambernath (E), Dist. Thane, Maharashtra, India — 421 506.,

sales@flameproof.co.in

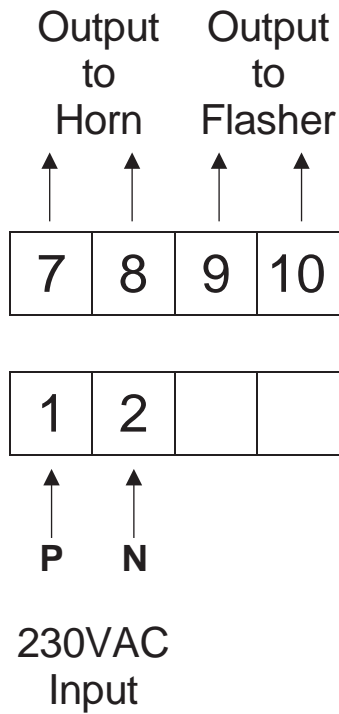
9321160178



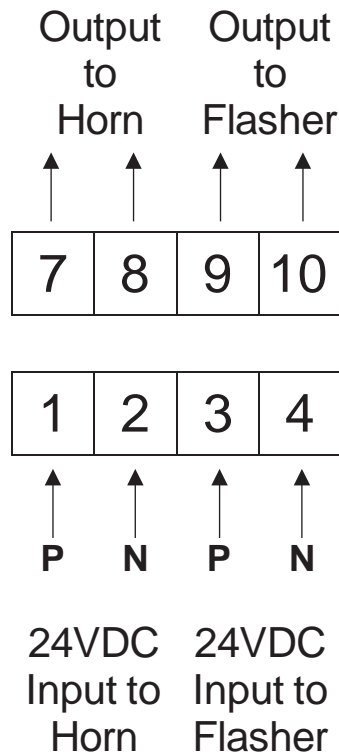
www.flameproof.co.in

Connection Diagram

For 230 VAC



For 24 VDC



Note : You will have to refer connection diagram as per product voltage only.



Flameproof Instrumentation

Made in



Flameproof Instrumentation

Plot. No. E/14, Addl. MIDC, Anand Nagar, Ambernath (E), Dist. Thane, Maharashtra, India — 421 506.,

sales@flameproof.co.in

9321160178



www.flameproof.co.in