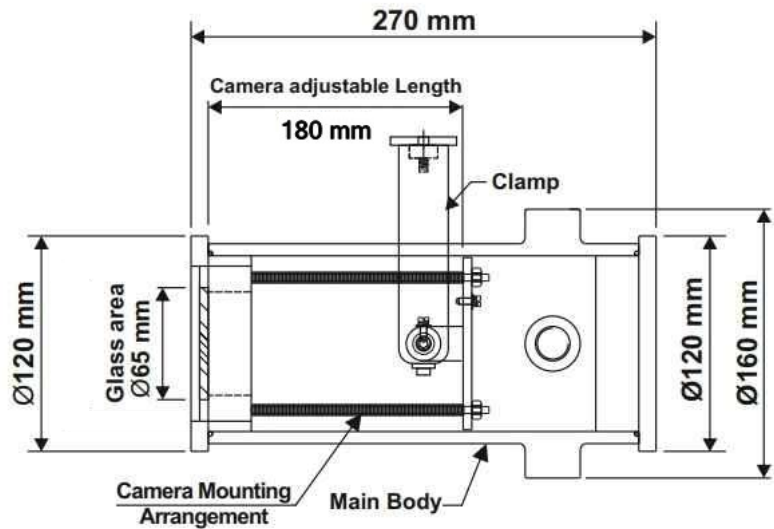
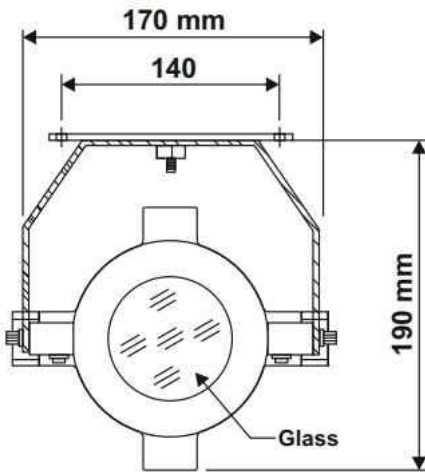


Flameproof Camera Enclosure



| | SALIENT FEATURES |
|--------------------|--|
| Operating Temp. | Up to 55°C |
| Humidity | 90 % at 40°C |
| Enclosure | LM6, Aluminum |
| Coating | Powder coated |
| Dimension | As per drawing |
| Weight | 4.3 Kg MAX. |
| Cable entry | M20 or 1/2" NPT or 3/4" NPT (select any one) |
| Mounting | Wall mounting / slab mounting type |
| Gas group | IIA & IIB , Zone 1 & Zone 2 |
| Application | Hazardous area |
| Weather protection | IP 65 |

Flameproof Instrumentation

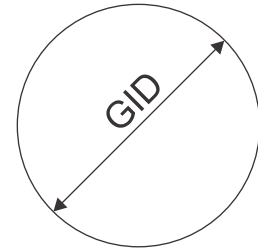
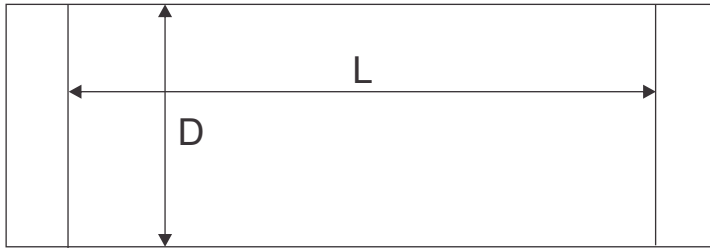
Plot. No. E/14, Addl. MIDC, Anand Nagar, Ambarnath (E), Dist. Thane, Maharashtra, India — 421 506.,

sales@flameproof.co.in

9321160178

www.flameproof.co.in

Internal Dimension / Space Available for Camera fitment



| L | D | GID |
|--------|-------|------|
| 180 mm | 70 mm | 65mm |

L - Maximum Available Length

D - Maximum Available Diameter

GID - Maximum Glass Internal diameter

Flameproof Instrumentation

Plot. No. E/14, Addl. MIDC, Anand Nagar, Ambarnath (E), Dist. Thane, Maharashtra, India — 421 506.,

sales@flameproof.co.in

9321160178

www.flameproof.co.in