

# Flameproof LED Jumbo Flasher



	SALIENT FEATURES
Aux. Supply	230 VAC / 110VAC / 24VDC
Current Consumption	300 mA for 24VDC & 60 mA for 230VAC / 110VAC
Operating Temp.	Up to 55°C
Humidity	90% at 40°C
Enclosure	LM 6, Aluminum
Coating	Powder coated
Dimension	As per drawing
Applications	Hazardous area
Gas group	IIA, IIB & IIC, Zone 1 & Zone 2
Weight	10 Kg
Terminals	Up to 2.5 Sqmm
Cable Entry	M20 OR 3/4" NPT OR 1/2" NPT
Mounting	Wall mounting / slab mounting type
Flasher	LED based
Frequency	60 Flashes per minute
Hardware	SS
Flasher colour	Red, Green & Amber

## Flameproof Instrumentation

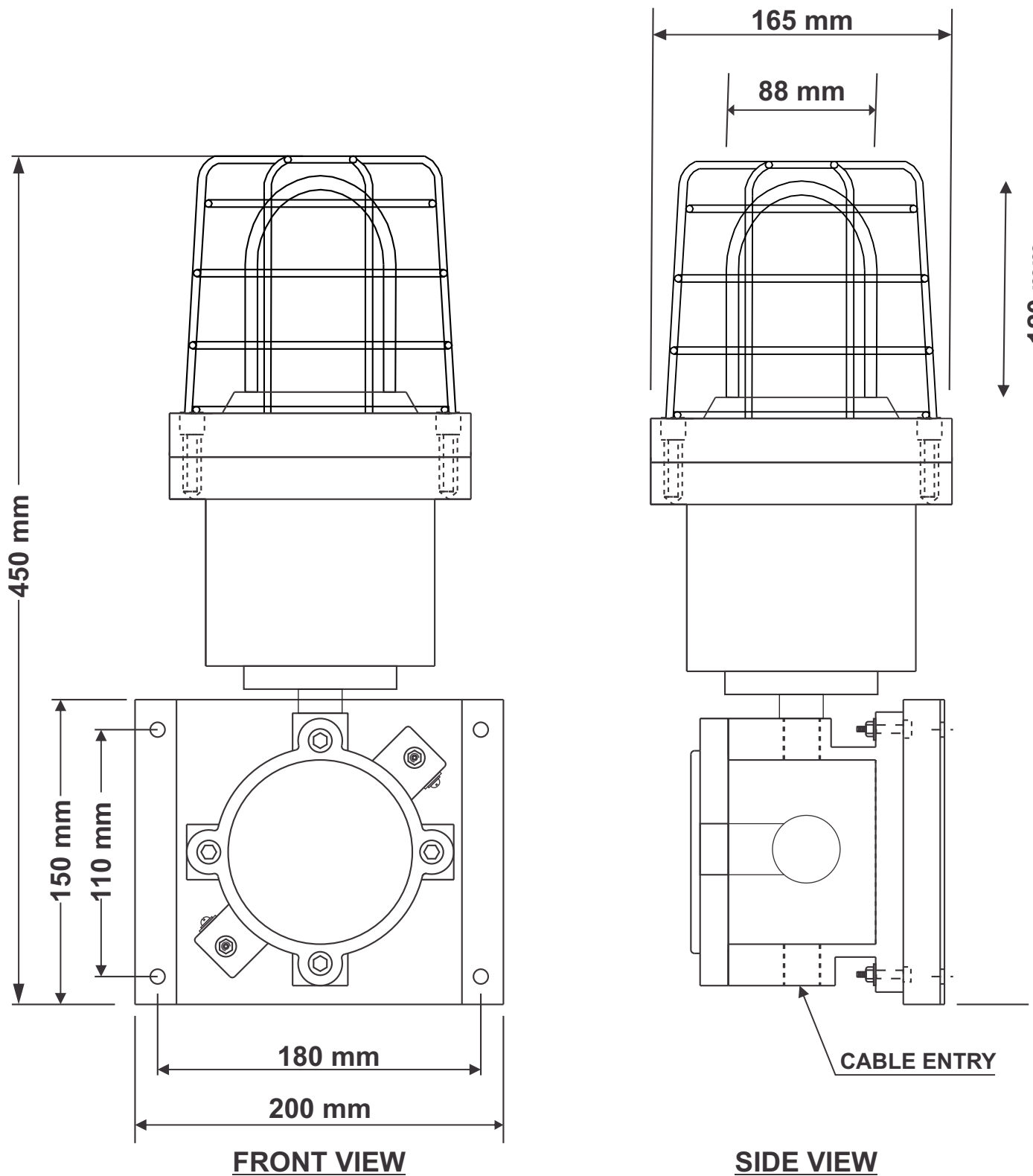
Plot. No. E/14, Addl. MIDC, Anand Nagar, Ambarnath (E), Dist. Thane, Maharashtra, India — 421 506.,

sales@flameproof.co.in

9321160178

www.flameproof.co.in

# Dimensional Details



Flameproof Instrumentation

Made in



Flameproof Instrumentation

Plot. No. E/14, Addl. MIDC, Anand Nagar, Ambarnath (E), Dist. Thane, Maharashtra, India — 421 506.,

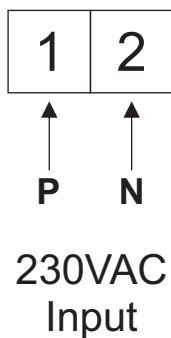
sales@flameproof.co.in

9321160178

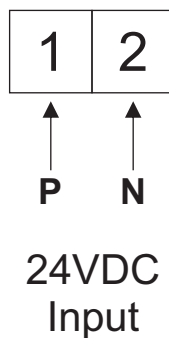
www.flameproof.co.in

# Connection Diagram

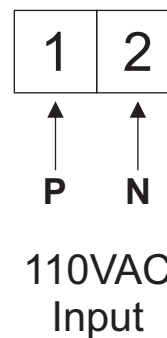
## For 230 VAC



## For 24 VDC



## For 110 VAC



**Note :** You will have to refer connection diagram as per product voltage only.



Flameproof Instrumentation

Made in



Flameproof Instrumentation

Plot. No. E/14, Addl. MIDC, Anand Nagar, Ambarnath (E), Dist. Thane, Maharashtra, India — 421 506.,

sales@flameproof.co.in

9321160178



www.flameproof.co.in