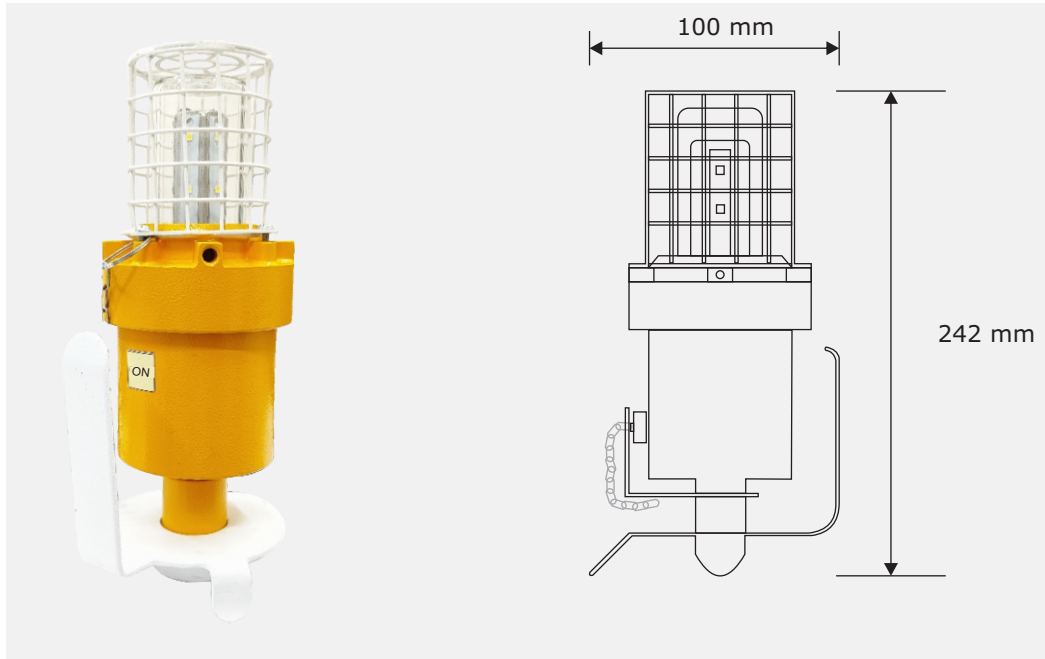


Flameproof Rechargeable LED Hand Lamp



	SALIENT FEATURES
Charging	Through External Charger 230VAC (Charging in Safe area only)
Power Consumption	4 watt
Light	High bright LED
Light colour	Cool white
Operating Temp.	50°C
Humidity	90% at 40°C
Enclosure	LM 6, Aluminum
Lumen	400
Coating	Powder coated
Dimension	As per drawing
Application area	Hazardous
Gas group	IIA & IIB & Zone 1 & Zone 2
Weight	2.5 Kg Max
Charging time	4 Hrs
Battery Backup	8 Hrs

Flameproof Instrumentation

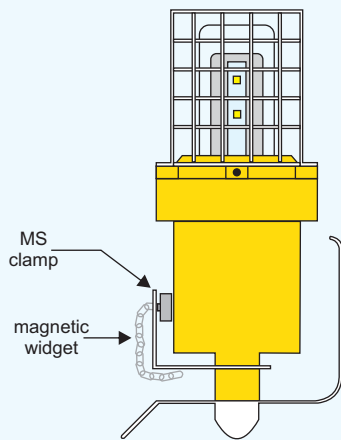
Plot. No. E/14, Addl. MIDC, Anand Nagar, Ambarnath (E), Dist. Thane, Maharashtra, India — 421 506.,

sales@flameproof.co.in

9321160178

www.flameproof.co.in

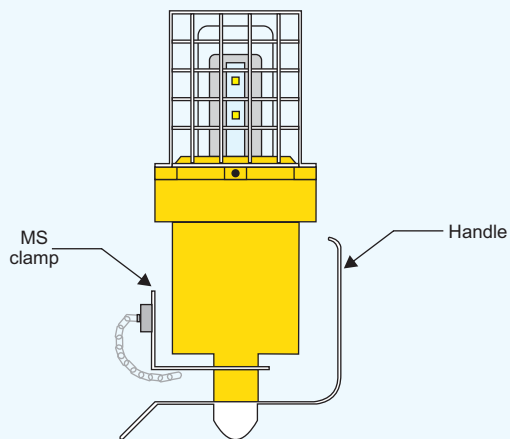
Method of Activation / De-activation



ON MODE

Magnet widget to be aligned in the slot provided to turn on the hand lamp.

Slot is provided on **MS clamp**.



OFF MODE

Magnet widget to be placed in the metallic part on the hand lamp.

Handle and **MS clamp** are made of Metal.



Flameproof Instrumentation

Made in



Flameproof Instrumentation

Plot. No. E/14, Addl. MIDC, Anand Nagar, Ambarnath (E), Dist. Thane, Maharashtra, India — 421 506.,

sales@flameproof.co.in

9321160178



www.flameproof.co.in