

Flameproof LED Emergency Tubelight



	SALIENT FEATURES
Input	230 VAC
Wattage	18 Watts
Moc	LM 6, Aluminum
Weight	15 Kg
Battery Type	Lithium Ion, 2000 mAH
Light colour	High bright cool white LED
Battery backup	60 minutes
Charging time	8 Hours, charger enclosed in separate enclosure
LED heat dispersion	Through internal thermal construction
Viewing angle	120°
LED Life span	50,000 Hrs
Hardware	SS
Coating	Powder coated
Function Type	Automatic ON when power supply OFF
Operating Temp.	Upto 55 °C
Cable entry	Max. 2 Nos., Size options : M20, 1/2" NPT or 3/4" NPT
Gas group	IIA, IIB, Zone 1 and Zone 2



Flameproof Instrumentation

Made in



Flameproof Instrumentation

Plot. No. E/14, Addl. MIDC, Anand Nagar, Ambarnath (E), Dist. Thane, Maharashtra, India — 421 506.,

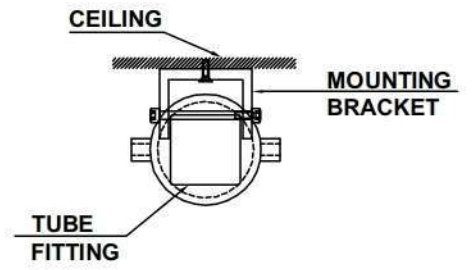
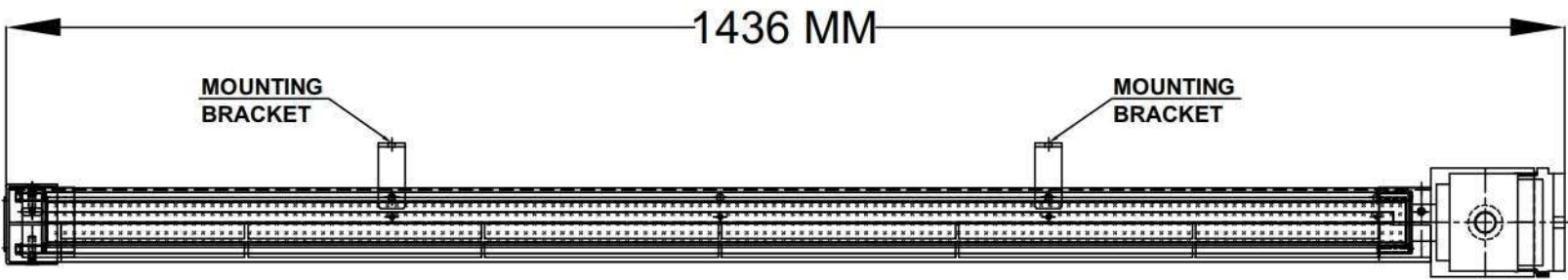
sales@flameproof.co.in

9321160178



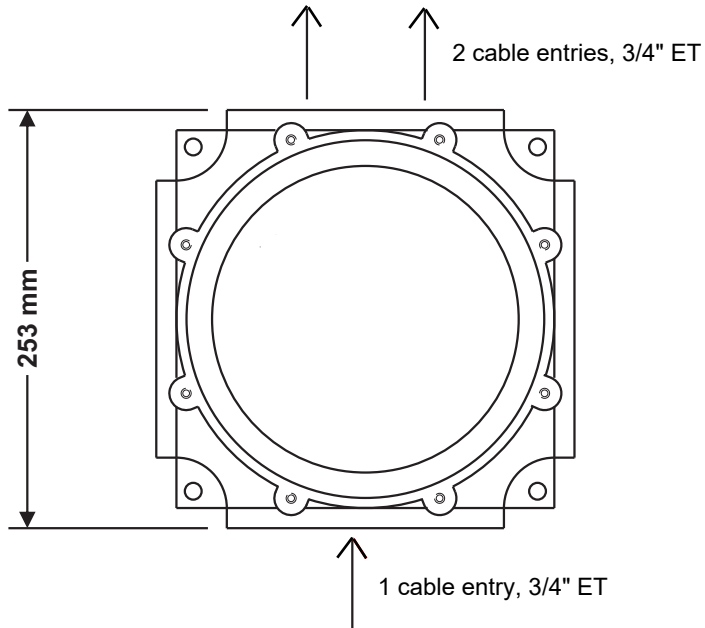
www.flameproof.co.in

**FLAMEPROOF LED
EMERGENCY TUBE LIGHT**



FLAMEPROOF INSTRUMENTATION

FLAMEPROOF ENCLOSURE FOR BATTERY STORAGE & CIRCUITRY



TOP VIEW



FRONT VIEW



FI

Flameproof Instrumentation

E / 14 , Anand nagar MIDC, Ambarnath (E), Dist: Thane, Maharashtra.
e-mail : sales@flameproof.co.in www.flameproof.co.in