

# Flameproof Hooter (110 dB)



	SALIENT FEATURES
Aux. Supply	230 VAC / 24VDC (select any one option)
Power Consumption	300mA @ 24 VDC & 60mA @ 230 VAC
Audio Range	110 dB
Operating Temp.	Up to 55°C
Humidity	90% at 40°C
Enclosure	LM 6, Aluminum
Weather Protection	IP 65
Coating	Powder coated
Dimension	As per drawing
Applications	Hazardous area
Gas group	IIA, IIB & IIC, Zone 1 & Zone 2
Weight	6 to 7 Kg approx.
Terminals	Up to 2.5 Sqmm
Cable Entry	3/4" NPT, 1/2" NPT or M20 (select any one), Max. 3 entries can be given
Mounting	Wall mounting / slab mounting type
FLASHER	OPTIONAL (LED Type)

## Flameproof Instrumentation

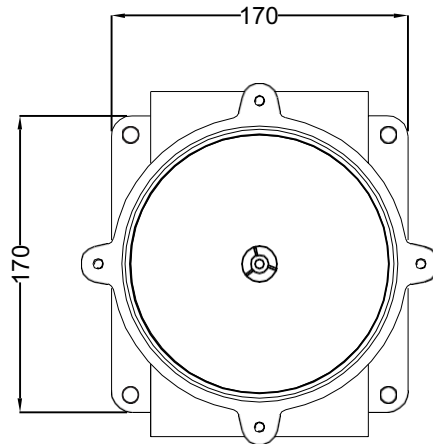
Plot. No. E/14, Addl. MIDC, Anand Nagar, Ambarnath (E), Dist. Thane, Maharashtra, India — 421 506.,

sales@flameproof.co.in

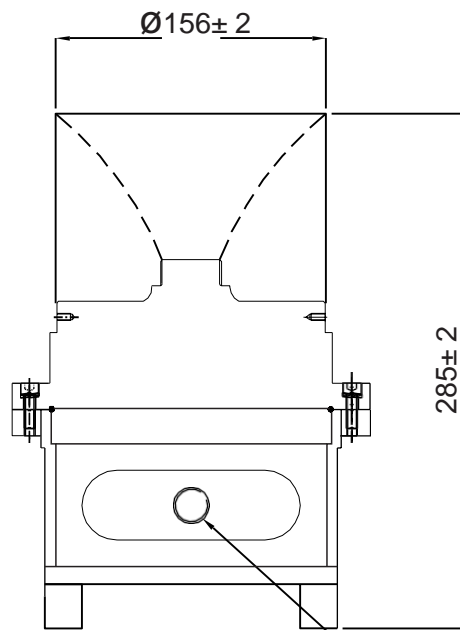
9321160178

www.flameproof.co.in

# Dimensional Details

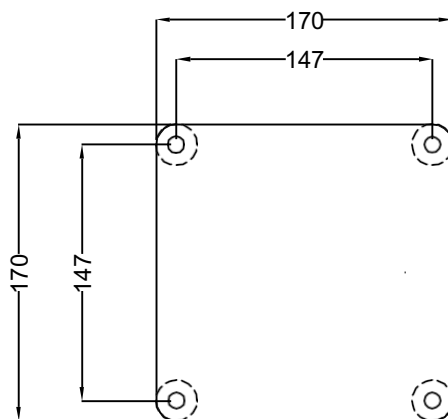


**TOP VIEW**



**SIDE VIEW**

**CABLE  
ENTRY**



**BACK VIEW  
MOUNTING DIMENSION**

All dimensions are in mm



Flameproof Instrumentation

Made in



Flameproof Instrumentation

Plot. No. E/14, Addl. MIDC, Anand Nagar, Ambarnath (E), Dist. Thane, Maharashtra, India — 421 506.,

sales@flameproof.co.in

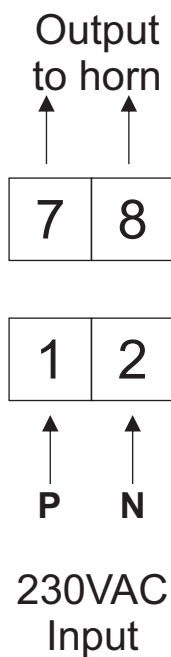
9321160178



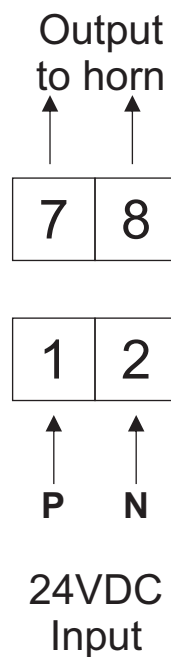
www.flameproof.co.in

# Connection Diagram

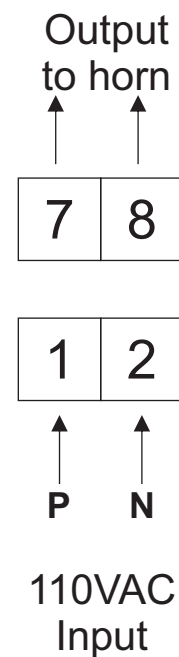
## For 230 VAC



## For 24 VDC



## For 110 VAC



**Note :** You will have to refer connection diagram as per product voltage only.



Flameproof Instrumentation

Made in



Flameproof Instrumentation

Plot. No. E/14, Addl. MIDC, Anand Nagar, Ambarnath (E), Dist. Thane, Maharashtra, India — 421 506.,

sales@flameproof.co.in

9321160178

www.flameproof.co.in