

# Flameproof Speaker



	SALIENT FEATURES
Aux. Supply	Input from amplifier ( 2 wire type for 100 VAC line transformer)
Resistance	16 Ohm
Watt	Up to 30 Watts (RMS)
Frequency	20 Hz to 20 KHz
Internal circuitry	100 VAC line transformer optional
Operating temp.	Up to 55°C
Humidity	90% at 40°C
Enclosure	LM 6, Aluminum
Coating	Power coated
Dimensions	As per drawing
Application	Hazardous area
Gas group	IIA, IIB, IIC, Zone 1 & Zone 2
Weight	7.9 to 8 Kg Max
Terminals	Up to 2.5 Sqmm
Cable Entry	Max 3 Nos., Size : M20 or 3/4" NPT or 1/2" NPT (select any one)
Mounting	Wall mounting / slab mounting type
Weather Protection	IP 65
No. of Tapings inside the speaker	5 / 10 / 15 / 20 / 30

## Flameproof Instrumentation

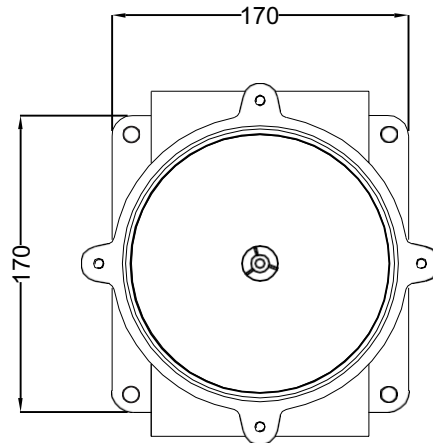
Plot. No. E/14, Addl. MIDC, Anand Nagar, Ambarnath (E), Dist. Thane, Maharashtra, India — 421 506.,

sales@flameproof.co.in

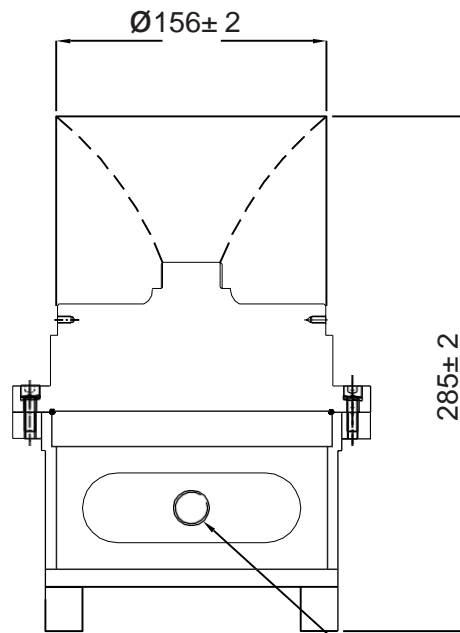
9321160178

www.flameproof.co.in

# Dimensional Details

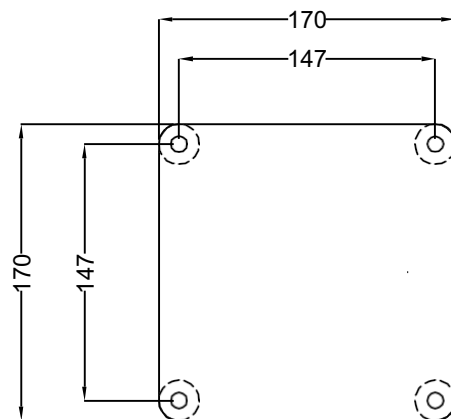


**TOP VIEW**



**SIDE VIEW**

**CABLE  
ENTRY**



**BACK VIEW  
MOUNTING DIMENSION**

All dimensions are in mm



Flameproof Instrumentation

Made in



Flameproof Instrumentation

Plot. No. E/14, Addl. MIDC, Anand Nagar, Ambarnath (E), Dist. Thane, Maharashtra, India — 421 506.,

sales@flameproof.co.in

9321160178



www.flameproof.co.in